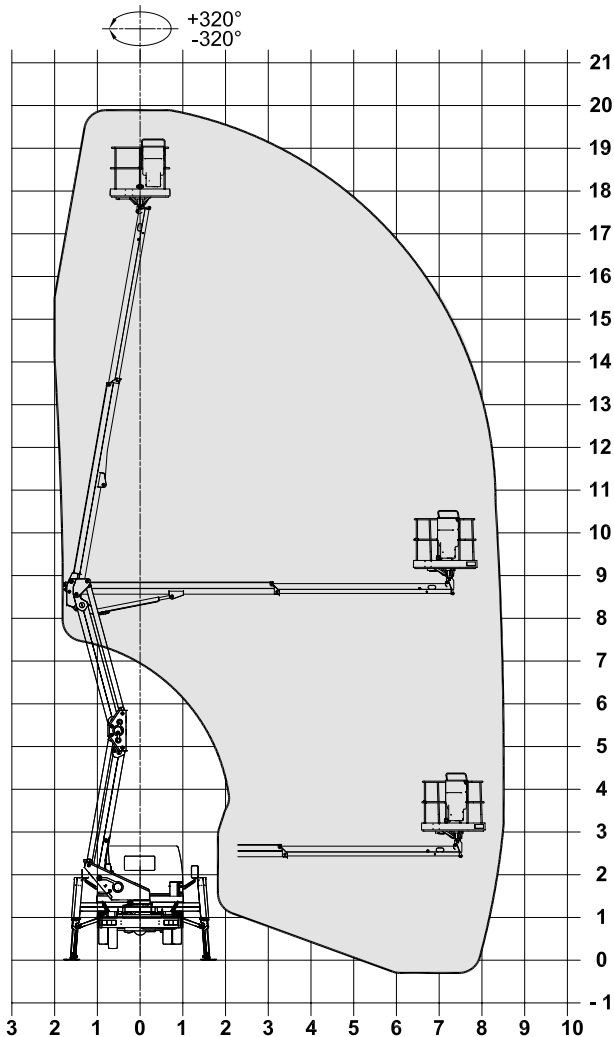


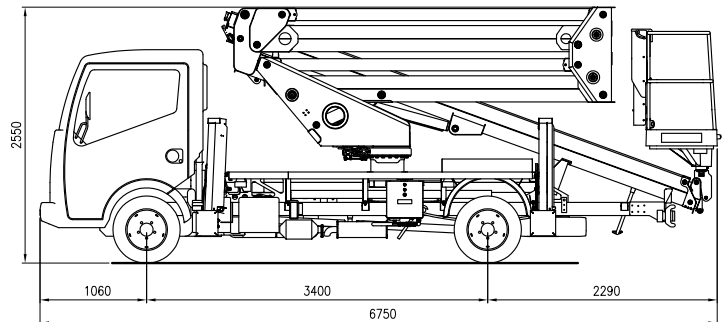
SPECIFICATION

ZED 20.2 H

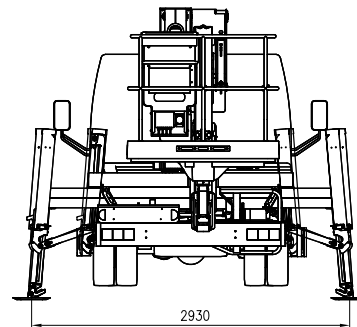
WORKING ENVELOPE









DIMENSIONS



OUTRIGGER FOOTPRINT



 20 m*	 9,2 m*
 230/300 kg**	 18 m
 1400x700x1100 mm	 GVW min 3,5 t

* outreach and height max values and repeatability can change within $\pm 3\%$ due to manufacturing variation and working condition.

** With Load Cell. With VTR basket capacity 200/250 kg

Product specifications are subject to change without notice or obligation. Technical features and drawings in this brochure are for illustrative purposes only. _ZED 20.2 H - ed. 04/16



CTE S.p.A.
Headquarter and Factory
 7 Via Caproni - Rovereto (TN) IT, 38068
Ph. +39 0464 48.50.50 - Fax +39 0464 48.50.99
info@ctelift.com - www.ctelift.com
Factory 5 Loc. Terramatta - Rivoli Veronese (VR) IT, 37010
CTE UK Ltd Enderby Leicestershire - UK

